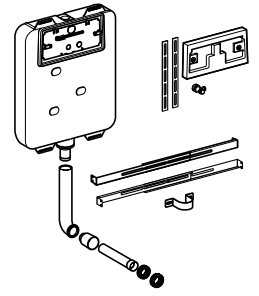


Geberit Montage



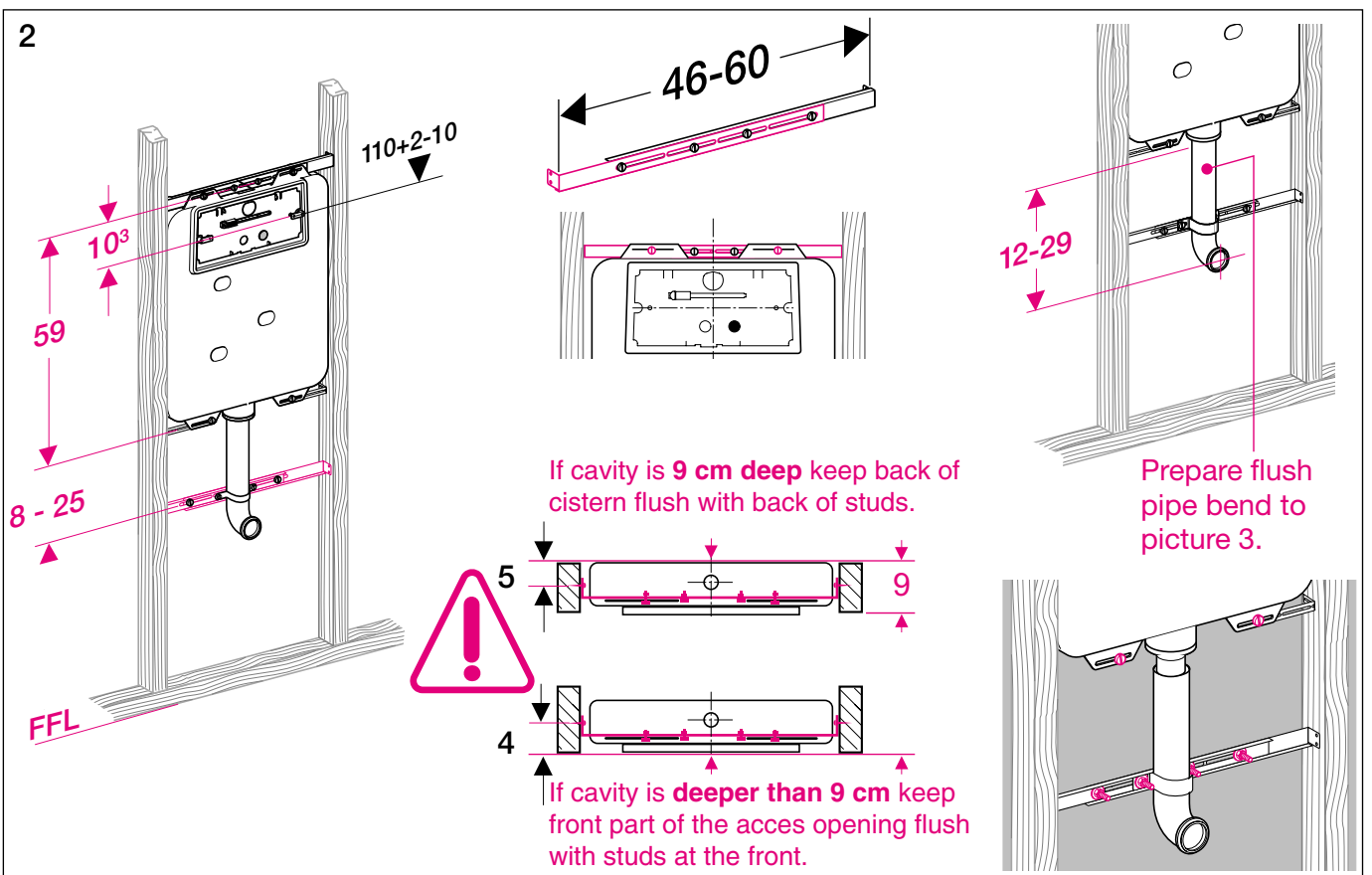
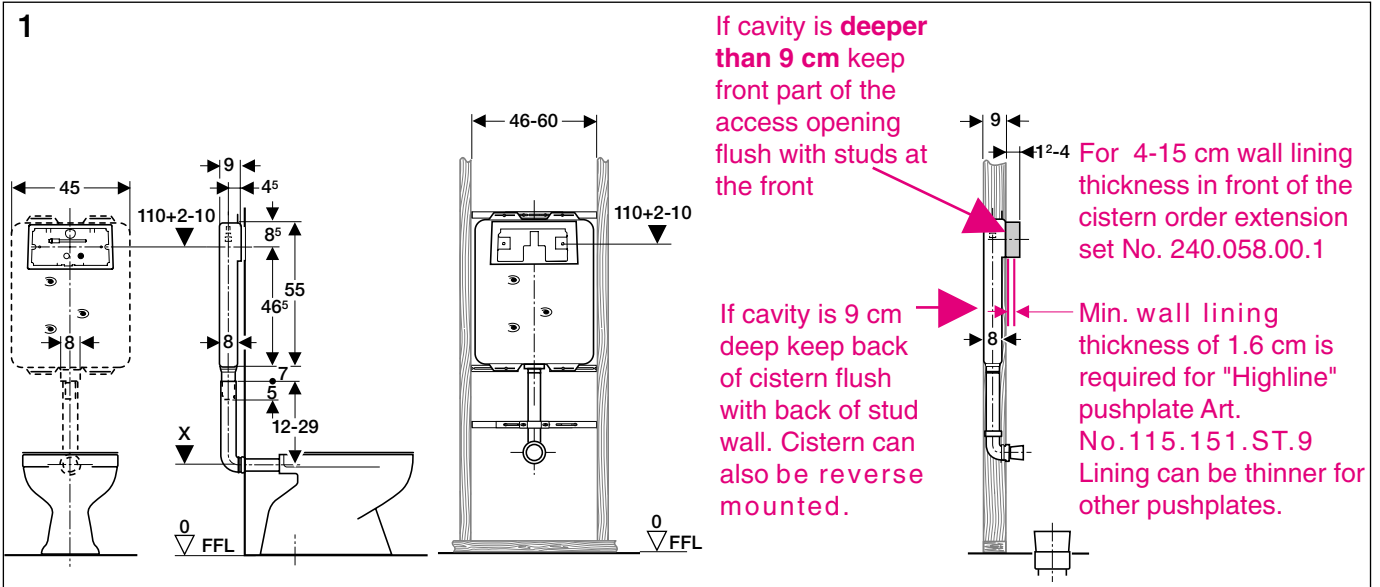
All measurements in cm (1 cm = 10 mm)

$\nabla 0$ = FFL = Finished floor level

X = Dimensions by ceramic manufacturer

Note: Add necessary precautions in case of condensation risk!

Stud wall installation (with floor mounted pan)



AUS 8298-02

964.233.00.0

■ GEBERIT

Geberit Montage

3

Chamfer inside of flush pipe bend

Lubricate rubber-ring (lubricant supplied)

5 2 5 X

Secure with bracket. Pipe to be held firmly but should still be moveable up or down if so required later. Ensure that flush pipe bend is installed plumb.

FFL

Cut flush pipe bend. Allow for 2cm clearance when flush pipe bend is adjusted to the required installation height X. This will also provide for additional 2cm adjustment if required later on in the construction.

4

Flush line before connecting hose

Use supplied grommet

Hexagon of tube bush to be inside the cistern.

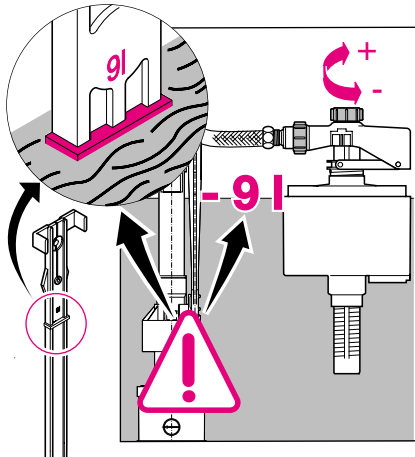
Max. 65 Fully open

90° 90°

1/2" female tube bush (not supplied)

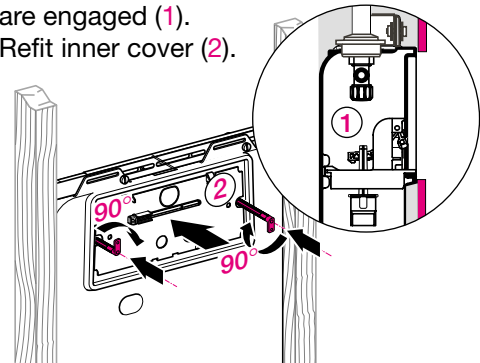
Geberit Montage

5



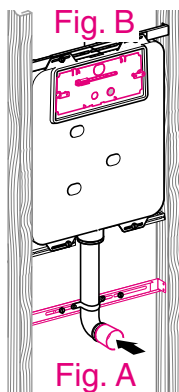
The cistern is pre-set to a filling volume of 9l and 6/3l flush and therefore usually does not require adjustment. If for any reason the filling level requires re-adjustment it is done by turning the knob on top of the inlet valve.
See last page for how to increase flush volume to 9/4l.

Make sure that the levers of the transmission block are engaged (1).
Refit inner cover (2).

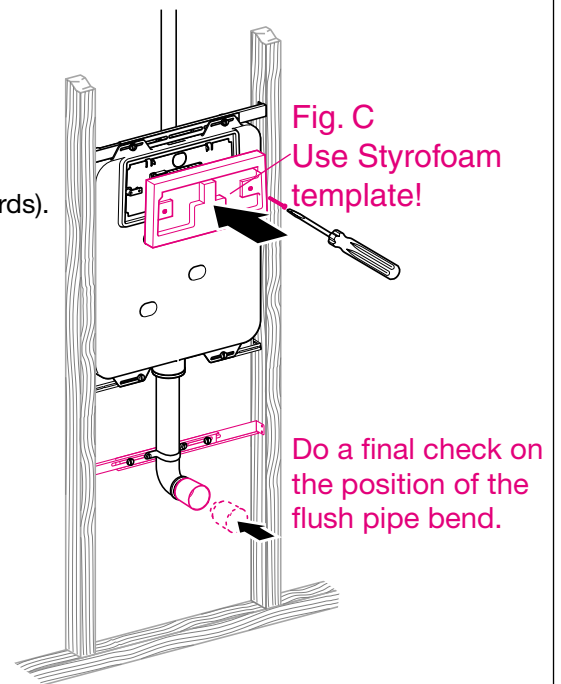


6 Testing

Before the wall is closed in, the cistern should be tested. Remove the cover (Fig. A) and open the stop cock. Fill cistern, fit the cover and install the white actuator rod. Check that there is no leakage from the flush pipe bend. Place supplied plug (Fig. B) into the flush pipe bend. Activate the cistern (push actuator rod in) and keep the cistern under test for a period of time (refer to local Standards). When period has lapsed check for leaks. After testing is complete close stop cock, empty cistern, remove actuator rod install the cover and the plug. Fit tiling template (Fig. C).

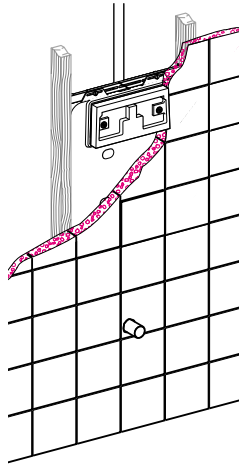


Insert plug and secure (tape) for testing.

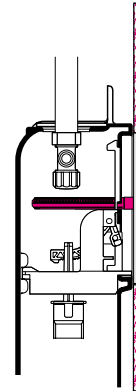


Geberit Montage

7



Fasten tiles (or cut out sheet) up to the edge of the template.



Styrofoam template

Keel seal

The cistern is supplied with two different sized keel seals. The keel seal with an outside diameter of 6 cm seals flush pipe holes in the ceramic sized 5.3 cm to 5.7 cm. The keel seal with an outside diameter of 6.7 cm seals flush pipe holes in the ceramic sized 5.6 cm to 6.2 cm.

Flush pipes

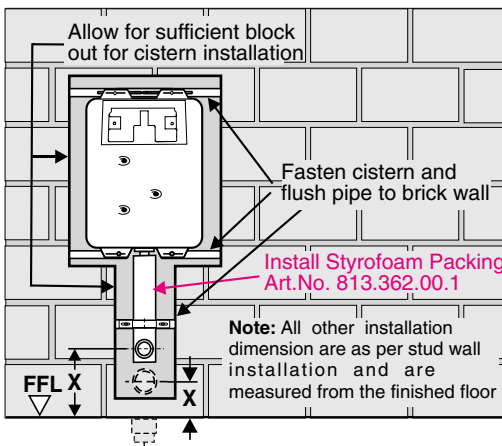
The cistern is supplied with a 18 cm long flush pipe for concealed installations. As an accessory longer flush pipes for in-duct installations are available.

For installations with an exposed flush pipe there are also a variety of finishes and materials available.

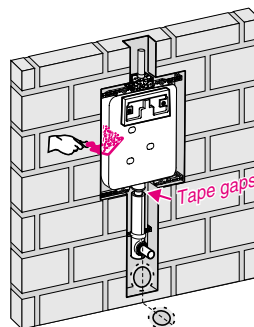
Enquire with your supplier.

Brick wall installation

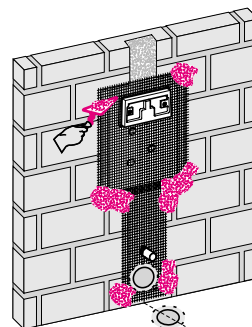
(with floor mounted pan) **order Art.No. 813.362.00.1 this article is not supplied with cistern.**



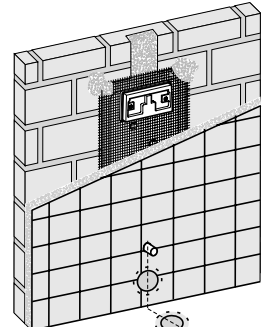
Fill in space between cistern and wall



Fix rendering mesh

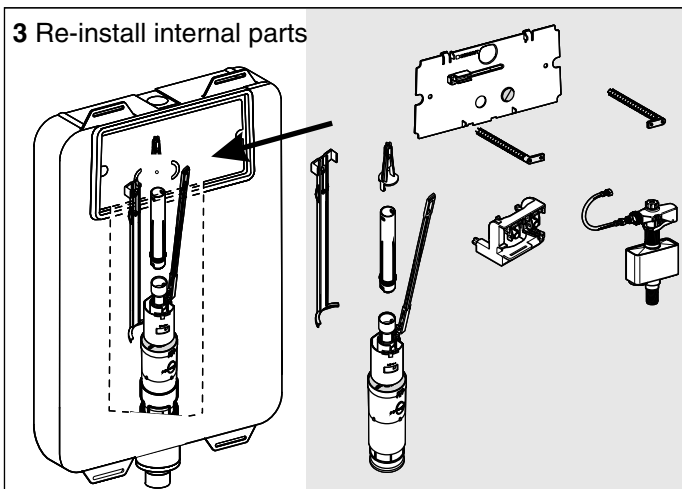
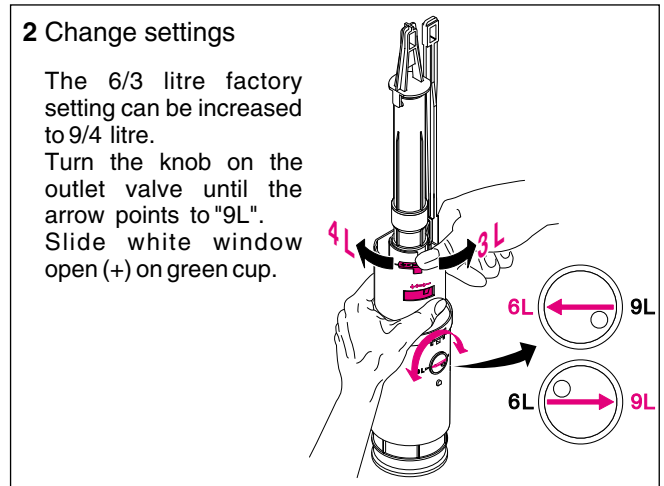
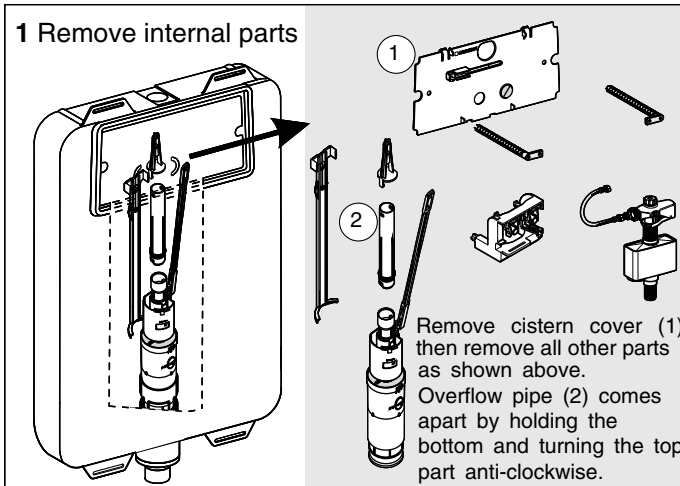


Render and tile



Geberit Montage

Switching to 9/4 litre flush volume



Note:

All construction dimensions, material, methods and details shown are indicative only. The final sizing, material used and construction methods must be determined by project Architect, Builder, Engineer and local Standard. This edition supercedes all previous editions.