

# Geberit Installation Instructions 110.708.00.1

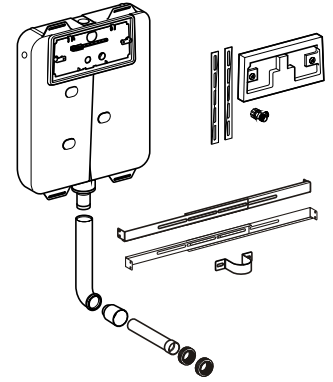


All measurements in cm (1 cm = 10 mm)

0 = FFL = Finished floor level

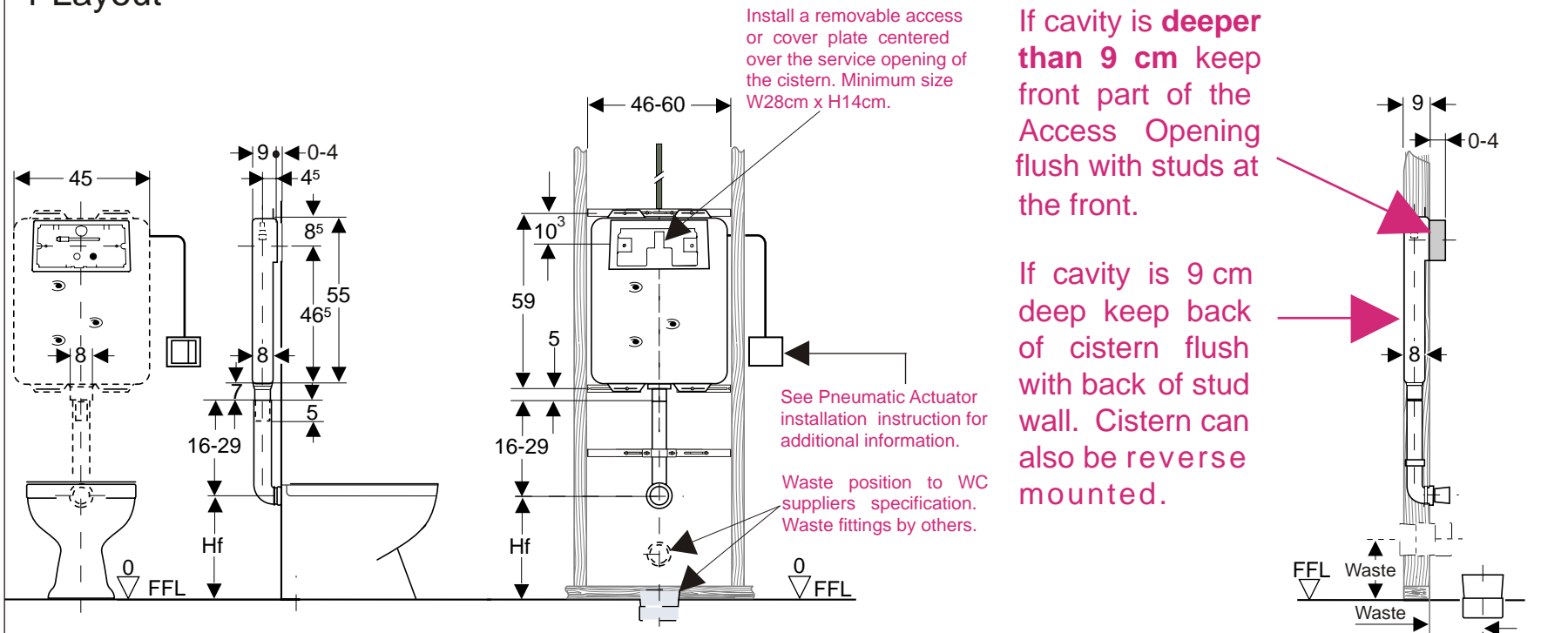
Hf = Height of flush pipe, dimension to WC suppliers specification

Note: Add necessary precautions in case of condensation risk!

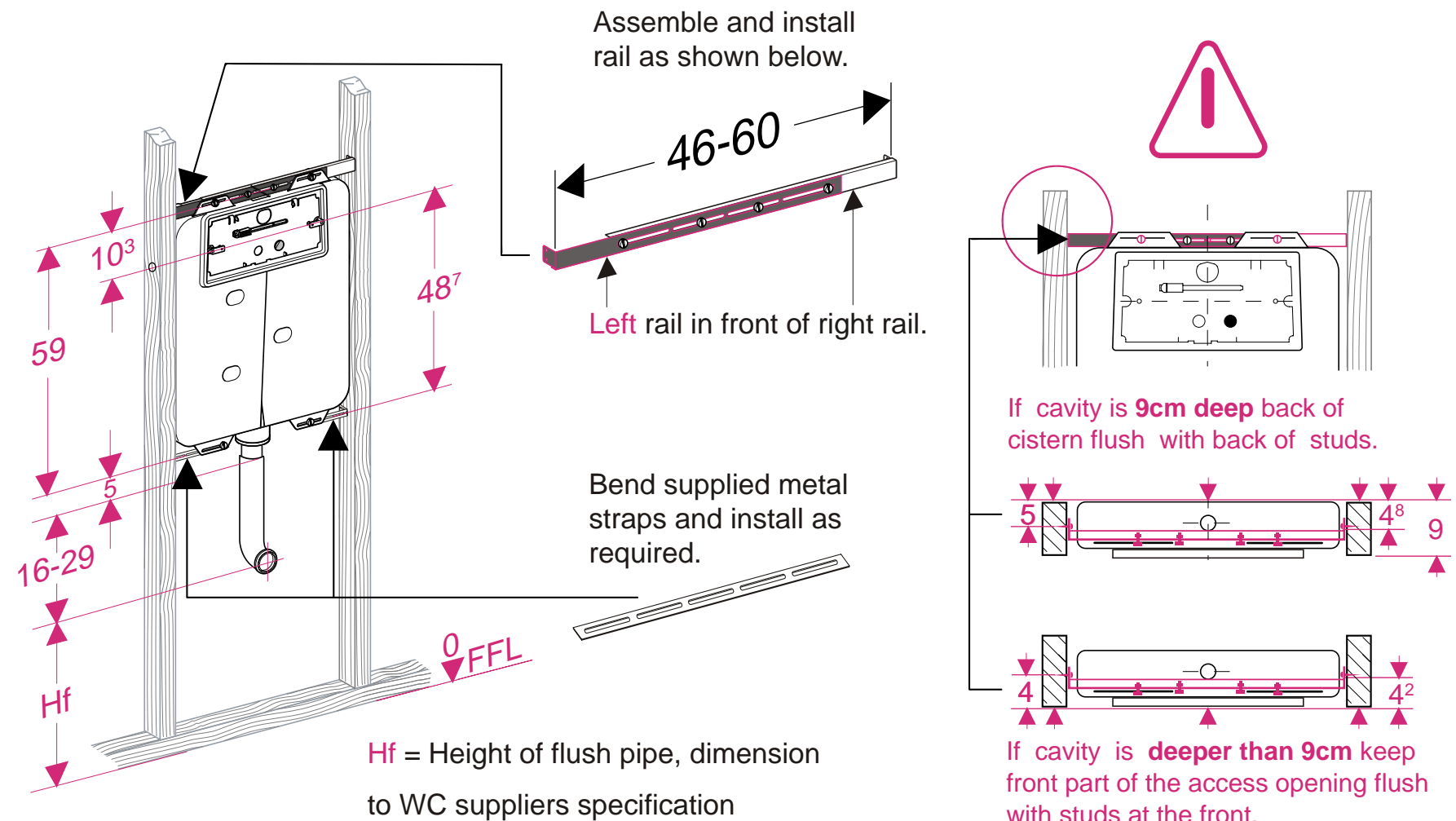


Pages 1 to 3 of this installation instruction shows only the basic layout for front access cistern installation. Page 4 shows additional schematic layout for rear access installation options. Page 5 shows the basic layout for front access brick installation. Since the cistern and the pneumatic buttons can be installed in several different ways confirm with the bathroom designer the required installation details and provision for a sufficiently sized removable service panel. This removable panel is required to provide full access to the service opening of the cistern. Also consider that the service personnel require sufficient room to perform maintenance through the service opening.

## 1 Layout



## 2 Fasten cistern



AUS 8298-02

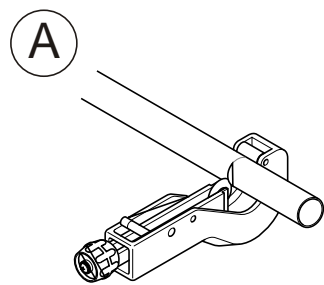
170.654.00.0

# Geberit Montage

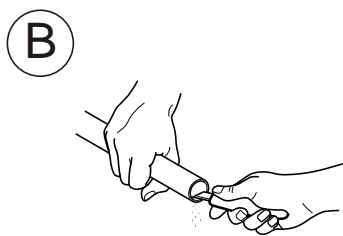
## 3 Flush pipe preparation



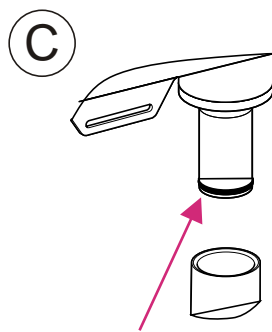
This procedure is only for the supplied black flush pipe bend and **not for the flush pipe adaptor kit**



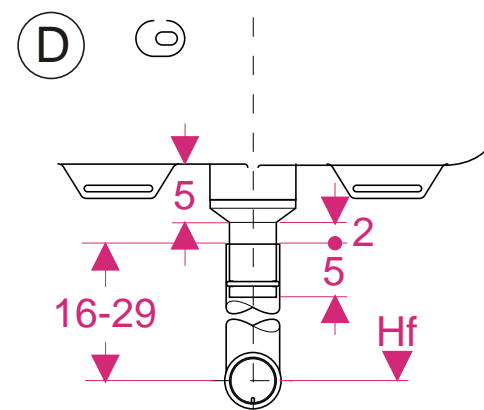
**A**  
Cut flush pipe bend to required length



**B**  
Chamfer the inside edge of the cut.

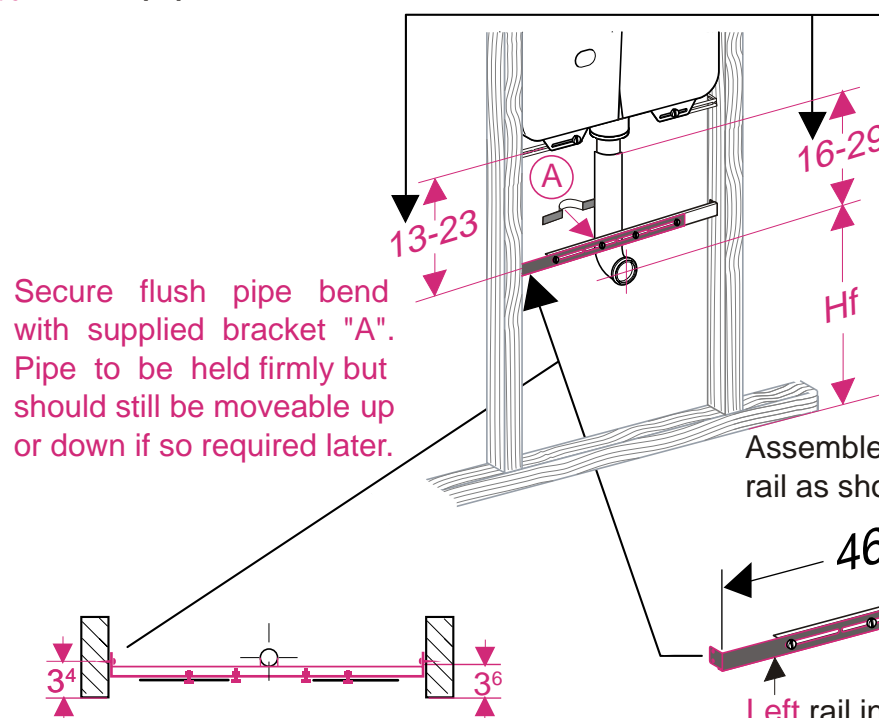


**C**  
Lubricate o-ring (lubricant supplied)



Push flush pipe over cistern spiggot. Allow for 2 cm clearance when flush pipe bend is adjusted to the required installation height  $H_f$ . This will also provide for an additional 2 cm adjustment (up or down) if required later.

## 4 Flush pipe installation

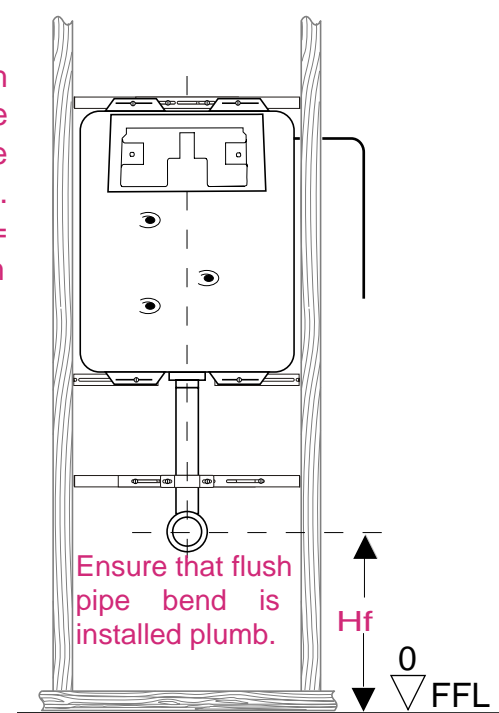


Secure flush pipe bend with supplied bracket "A". Pipe to be held firmly but should still be moveable up or down if so required later.

For a longer flush pipe than the minimum length of 16 cm increase the minimum distance of the rail by the same amount. eg.: flush pipe 17 cm = rail distance 14 cm

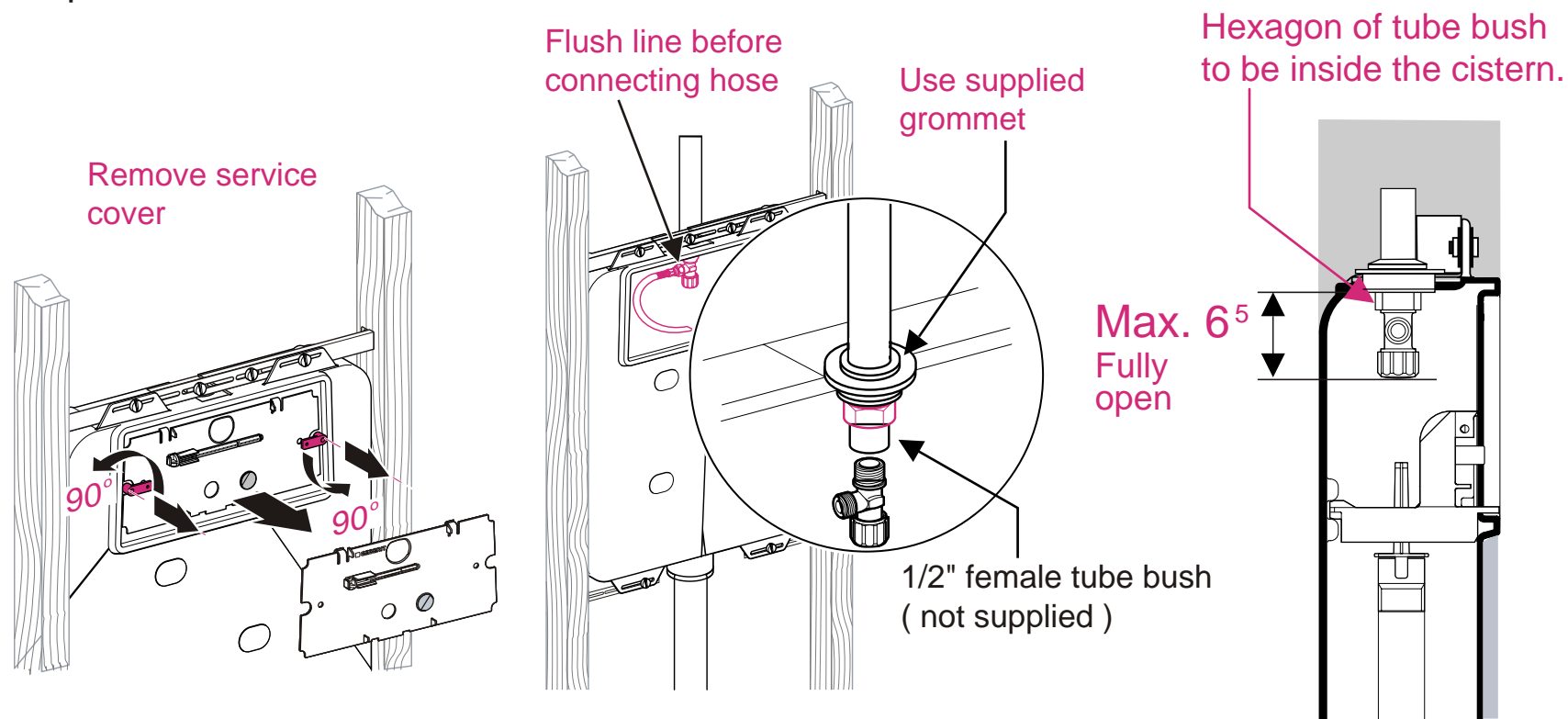
Assemble and install rail as shown below.

Left rail in front of right rail.



Ensure that flush pipe bend is installed plumb.

## 5 Stop cock installation



Remove service cover

Flush line before connecting hose

Use supplied grommet

Hexagon of tube bush to be inside the cistern.

Max. 65 Fully open

1/2" female tube bush (not supplied)

# Geberit Montage

## 6 Testing

Before the wall is closed in, the cistern should be tested. This is to detect damages that may have occurred during transport or on site handling.

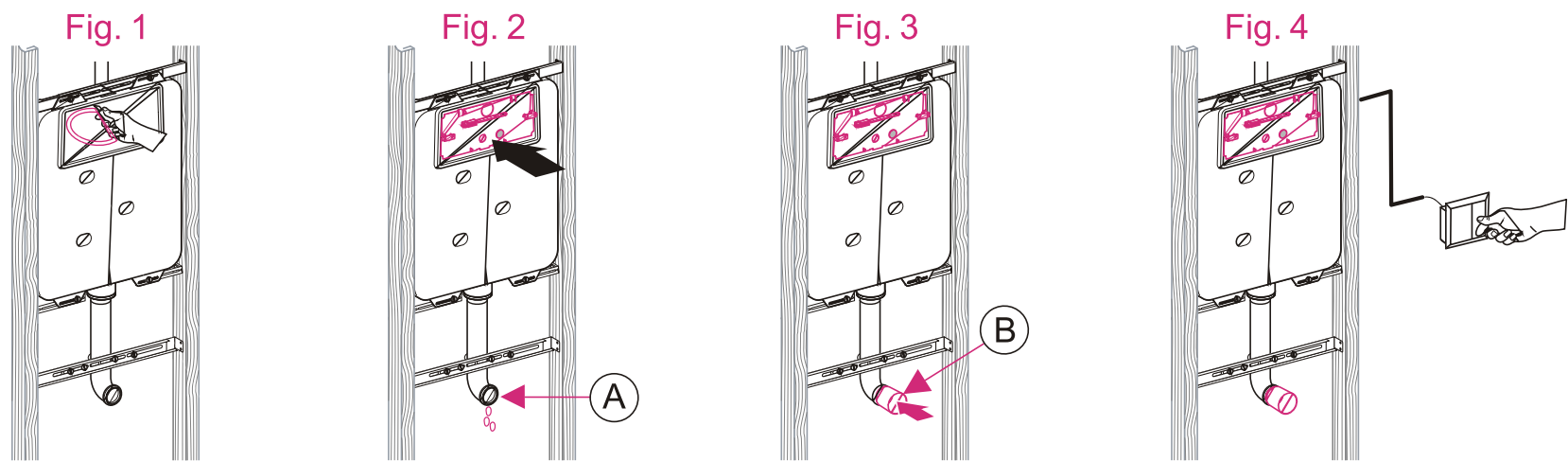
A Open the stop cock (Fig.1).

B Fill the cistern and put back service cover (Fig.2).

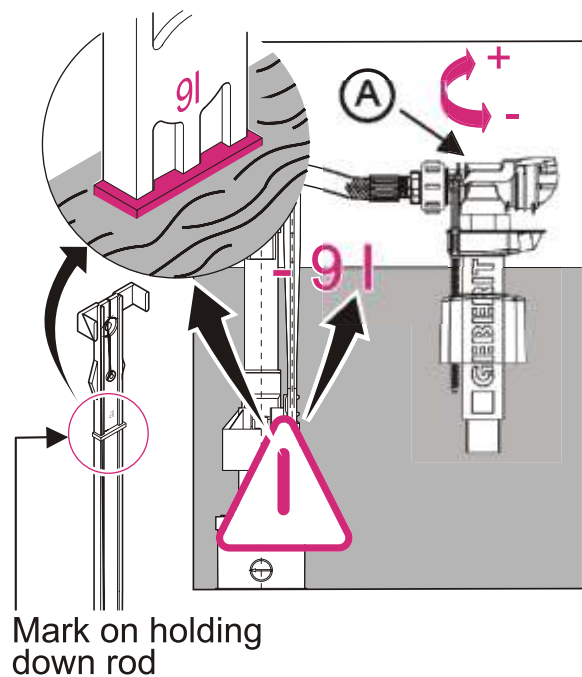
C After a period of time check that there is no leakage from the flush pipe bend (Fig.2,A).

D If there is no leak detected insert supplied plug into the flush pipe bend and secure with tape (Fig.3,B).

E Connect the push button and activate the cistern (Fig.4). Keep the cistern under test for a period of time (refer to local Standards). When period has lapsed check for leaks. After testing is complete close stop cock, empty cistern, install the cover and the plug.



## 7 Check filling Level

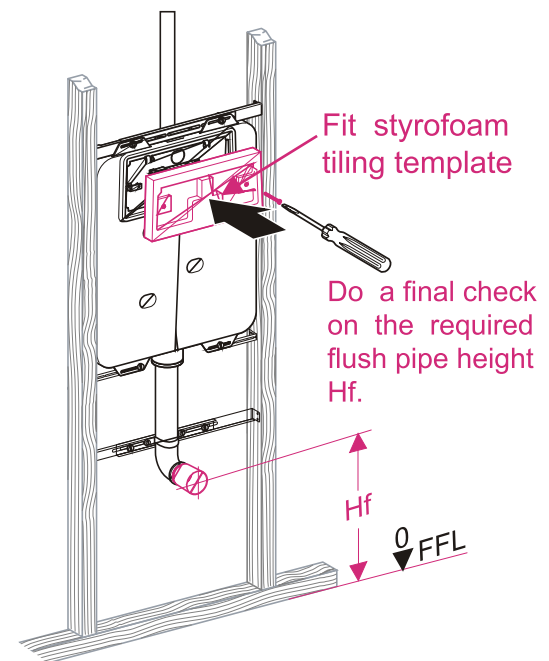


The cistern is factory pre-set to a filling volume of 9l (see mark on holding down rod behind the outlet valve). When flushed the cistern will discharge only 6/3l. Usually the filling level does not require adjustment. If for any reason the filling level requires re-adjustment it is done by turning the knob "A" on top of the inlet valve (clock wise higher level).

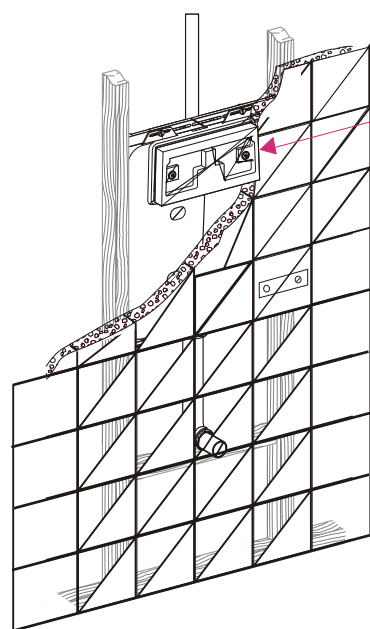
To increase the flush volume to 9/3l remove the outlet valve and turn the dial on the side of the outlet valve so that the arrow points to 9l.

Mark on holding down rod

## 8 Fit tiling template



## 9



Wall sheeting and tiles shall be cut up to the edge of the tiling template.

## 10 Kee seal

The cistern is supplied with two different sized kee seals. The kee seal with an outside diameter of 6 cm seals flush pipe holes in the ceramic sized 5.3 cm to maximum 5.7cm. The kee seal with an outside diameter of 6.7 cm seals flush pipe holes in the ceramic sized 5.6 cm to maximum 6.2 cm.

## Flush pipes

The cistern is supplied with a 18 cm long flush pipe for concealed installations. As an accessory longer flush pipes for in-duct installations are available. For installations with an exposed flush pipe there are also a variety of finishes and materials available. Enquire with your supplier.

# Flush Pipe Adaptor Kit Art.No.225.057.00.1

If the installation with the 110.708.00.1 cistern requires a longer flush pipe than the one included, use the supplied Adaptor Kit to fabricate the length required (see fig.A & B).

The adaptor kit includes only the adaptor socket & spacer, the required 40mm DWV pipe & bend are not supplied.

**Note:** With 40 mm DWV PVC pipe the supplied Geberit kee seals will seal 0.1 cm less than the maximum diameters stated on page 3 in section 10 of the 110.708.00.1 installation instructions. If the adaptor kit is used then the supplied black flush pipe bend and flush pipe are no longer required. Do not attempt to join these parts to PVC.

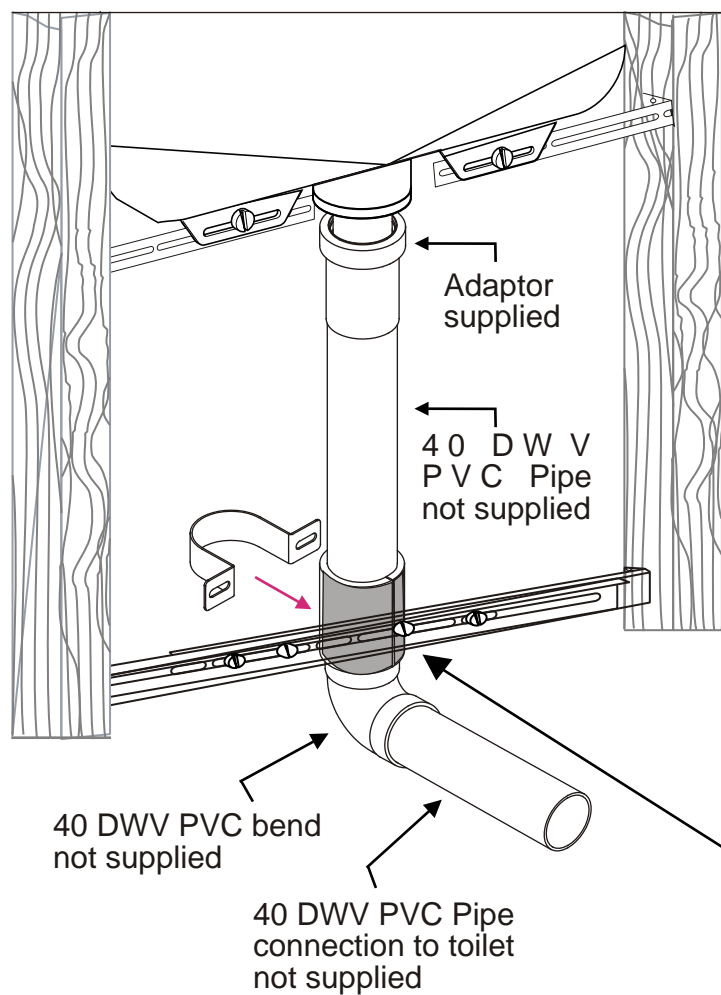
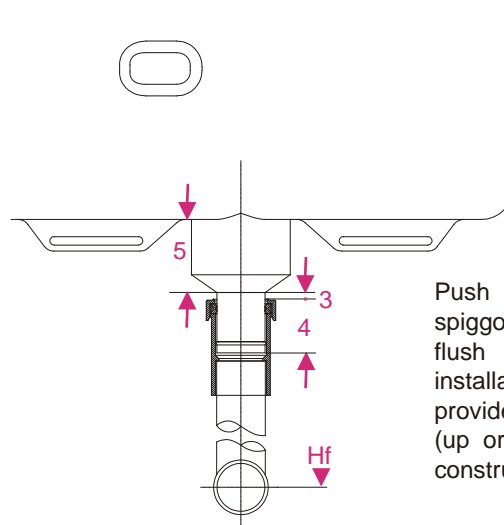


fig.A



Push flush pipe adaptor over cistern spigot. Allow for 3 cm clearance when flush pipe is adjusted to the required installation height  $H_f$ . This will also provide for an additional 1 cm adjustment (up or down) if required later on in the construction.

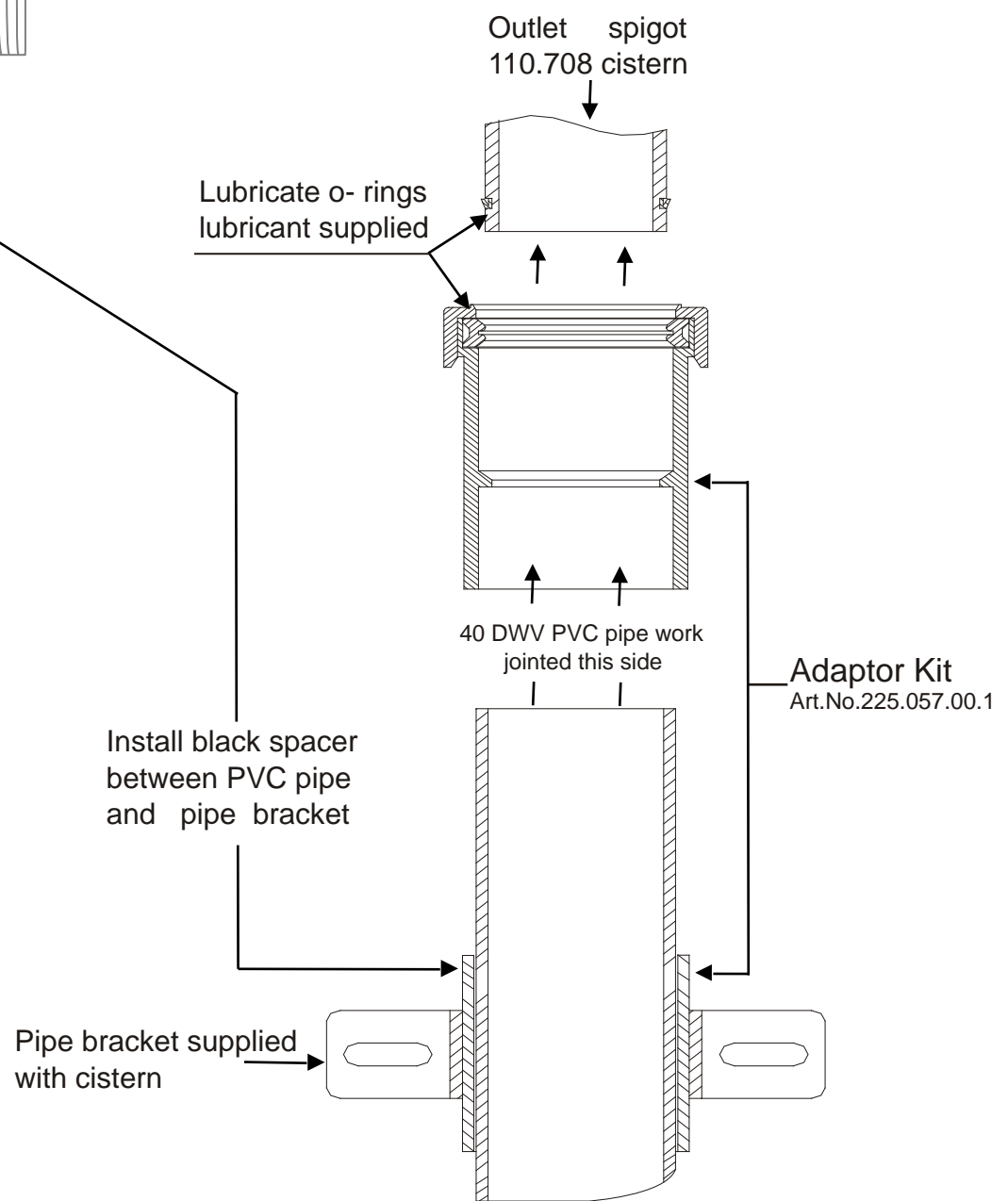


fig. B

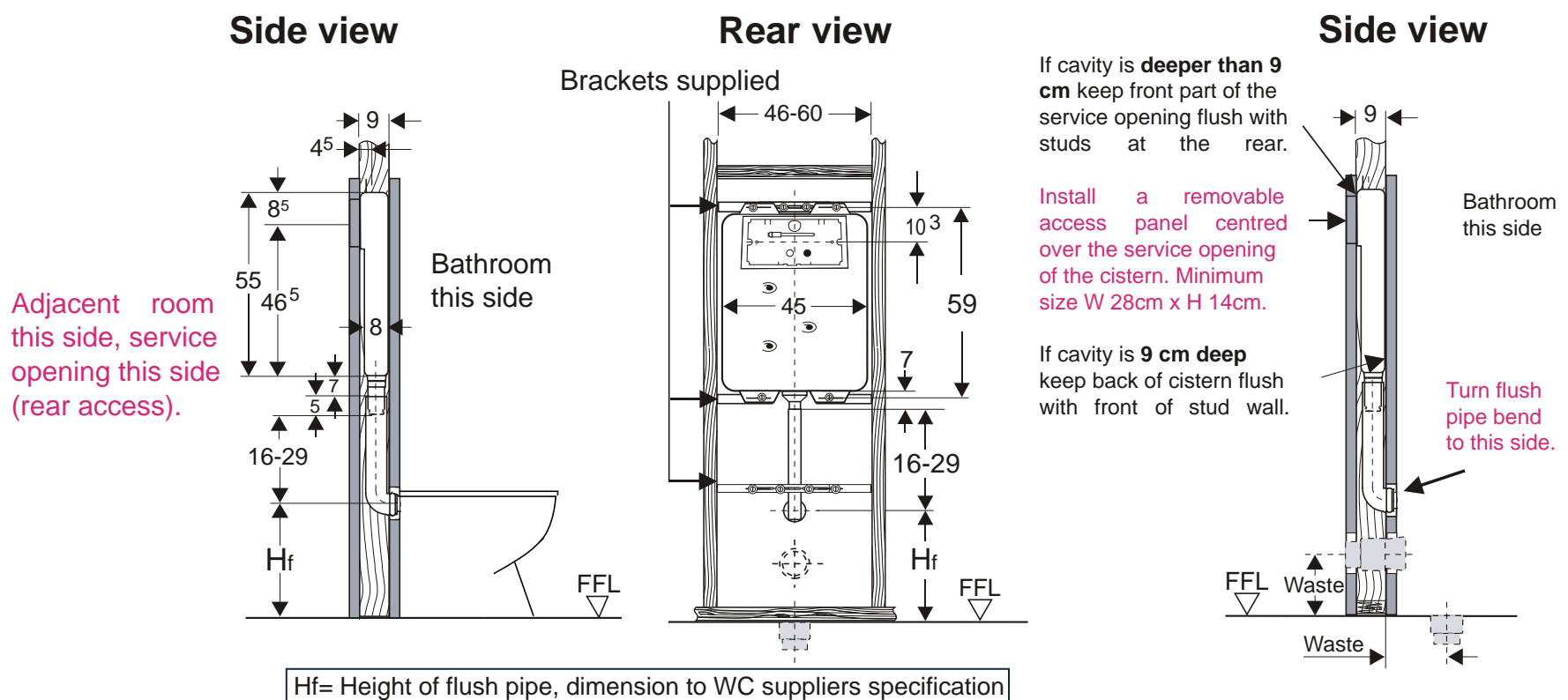
# Geberit Montage

## Further Installation Examples

The Geberit Compact Pneumatic Cistern allows for a greater flexibility in the positioning of the buttons and height positioning of the cistern. Following are examples of how the cistern & buttons could be installed. Please confirm with the bathroom designer the required installation details and provision for a sufficiently sized removable service panel.

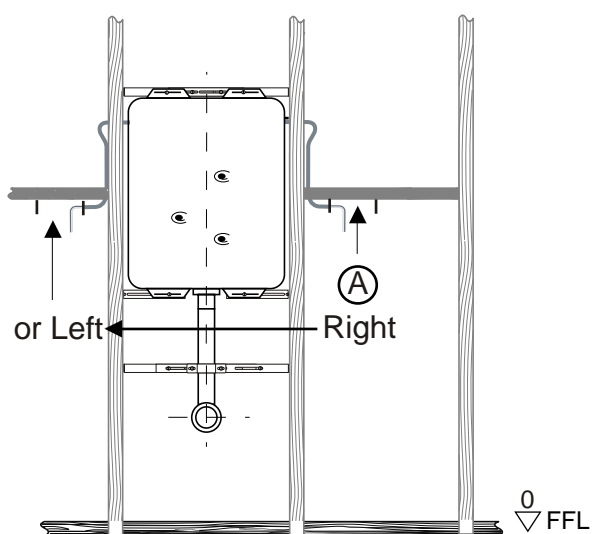
### Stud wall installation with rear access (for floor mounted wall faced pan) Cavity depth 9 cm

Note all other installation dimensions and steps are as 2 to 10 on page 1 to 3. The only exception is to swivel flush pipe bend 180°.



### Install hoses & hardware for Push Button in preferred location: A, B or C (see also button installation instructions)

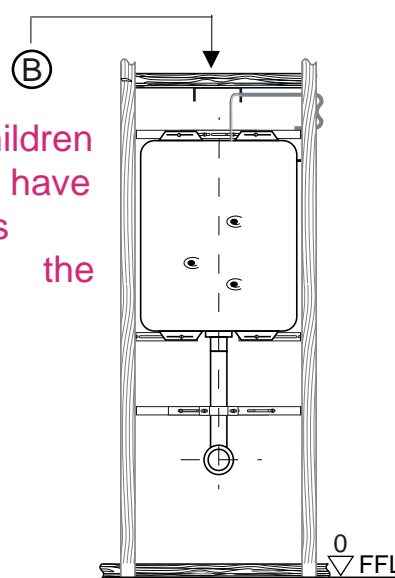
#### View from Bathroom



Button side mounted

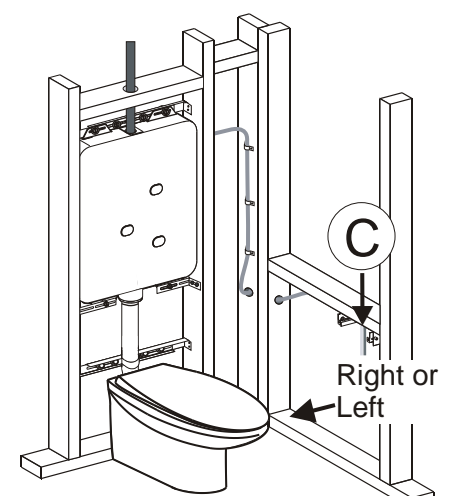
#### View from Bathroom

Note: Children may have problems reaching the button.



Button top mounted

#### View from Bathroom

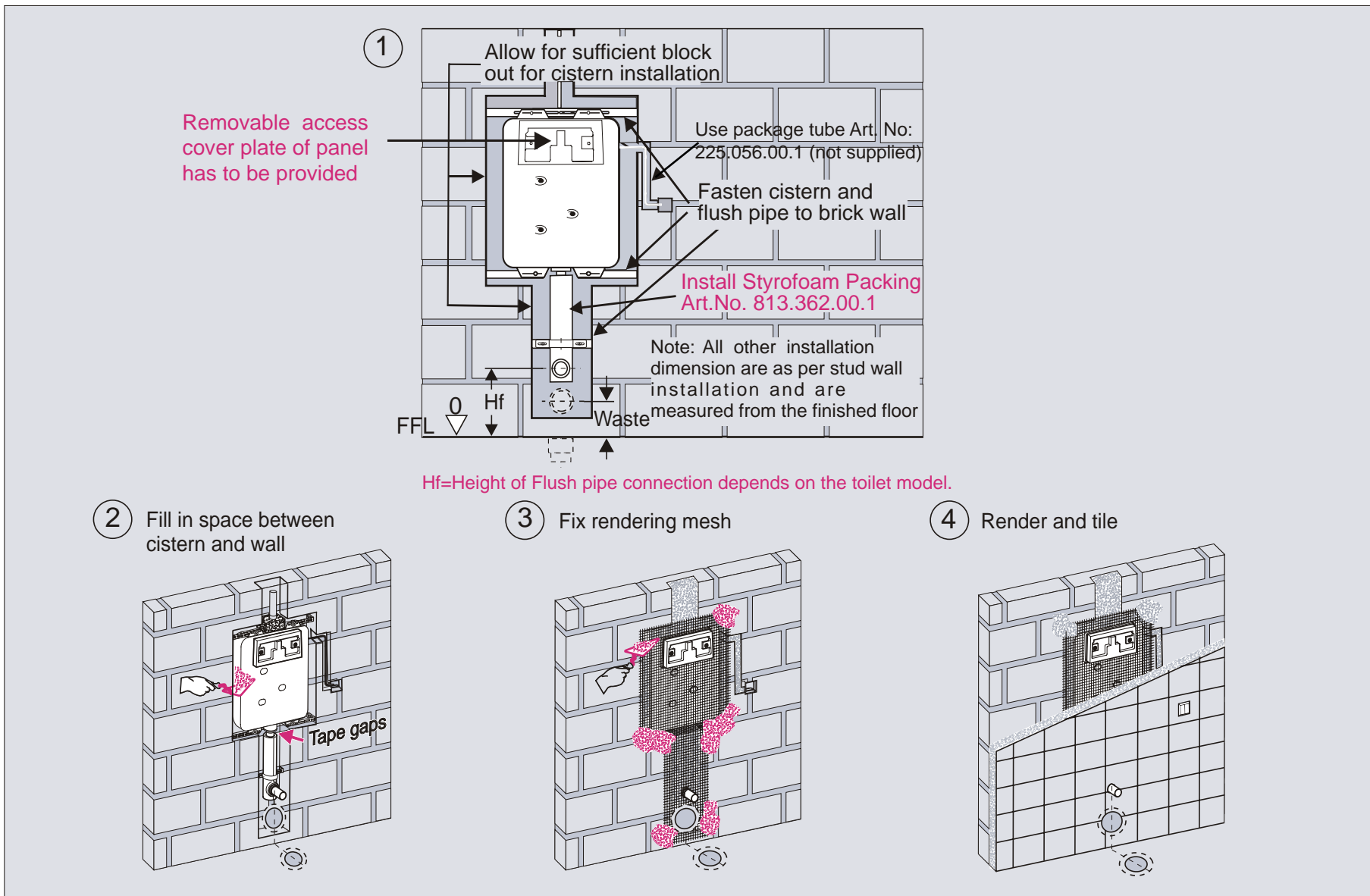


Button corner mounted

Button corner mounted

# Geberit Montage

Brick wall installation (with floor mounted wall faced pan) **Order Art.No.813.362.00.1 with cistern (see accessories).**



## Supplied parts

Pos	Designation	Pos	Designation
1	Cistern	9	Flush pipe bracket
2	Flush bend	10	Stopcock
3	Protector plug	11	Flush pipe adaptor kit
4	Flush pipe	12	Straps
5	Kee seal small	13	Grommet
6	Kee seal large	14	Fasteners for cistern
7	Tiling Template with hardware	15	Fasteners for tiling tempate
8	Adjustable brackets	16	Foam block

## External spare parts (internal parts are also available)

Pos	Designation	Art. No
1	Cistern complete	110.708.00.1
2	Flush bend	225.050.00.1
3	Protector plug for flush bend	219.605.00.1
4	Flush pipe	861.055.00.1
5	Kee seal for connection size 52-56mm	119.668.00.1
6	Kee seal for connection size 57-62mm	240.775.00.1
7	Tiling Template with hardware	225.052.00.1
8	Adjustable brackets	225.053.00.1
9	Flush pipe bracket	225.054.00.1
10	Stopcock	225.055.00.1
11	Flush pipe adaptor kit	225.057.00.1

**Note:**

All construction dimensions, material, methods and details shown are indicative only. The final sizing, material used and construction methods must be determined by Project Architects, Builder, Engineer and local standard. This edition ; Date:1.05.2005; File name: supercedes all previous editions.