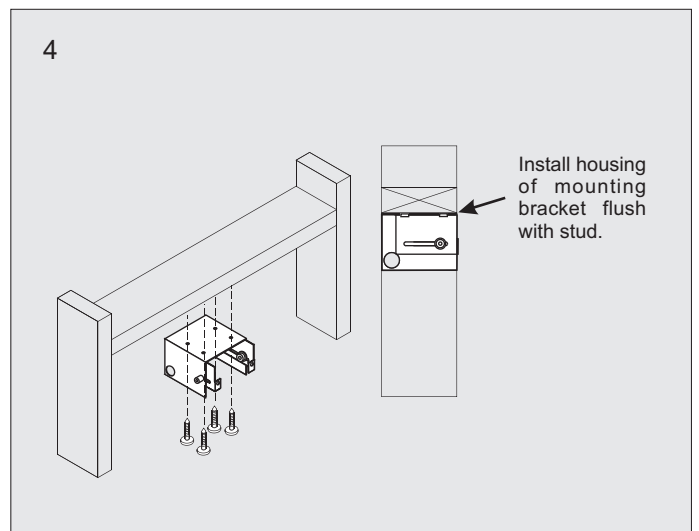
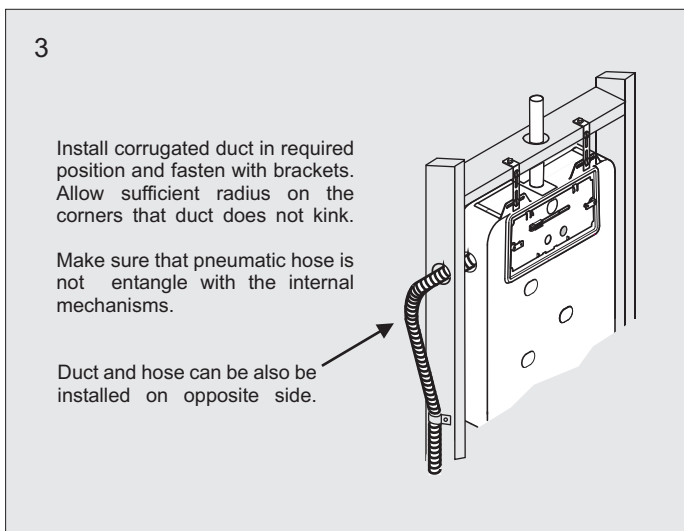
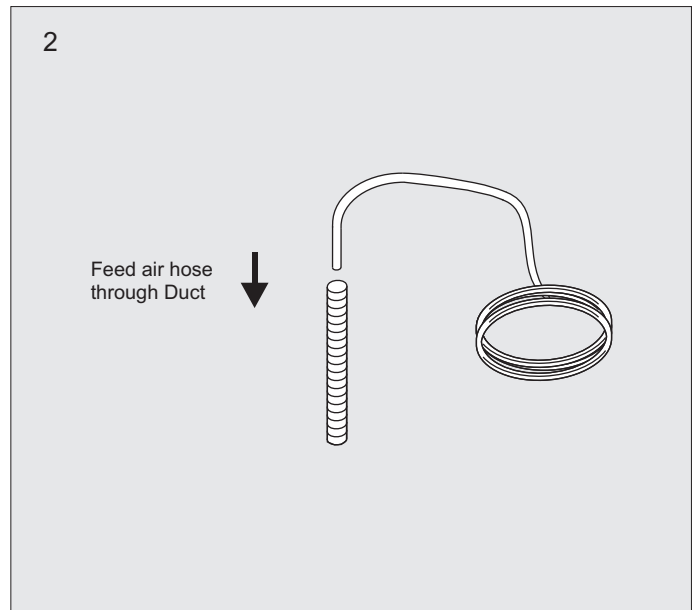
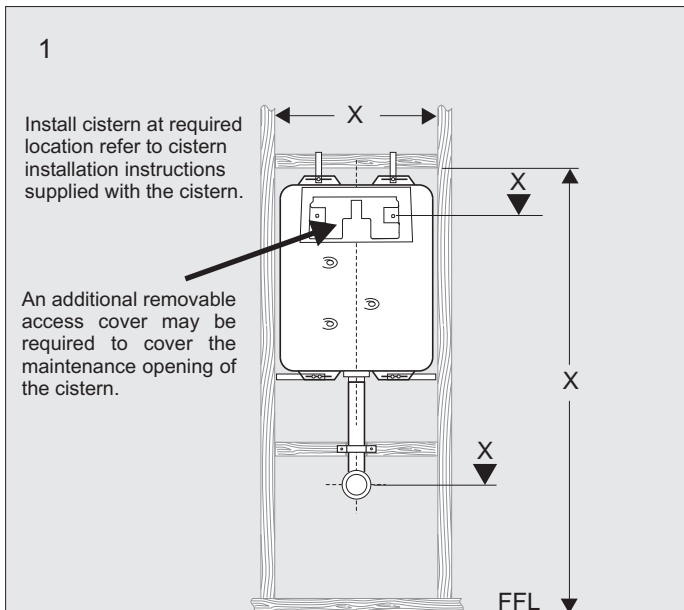
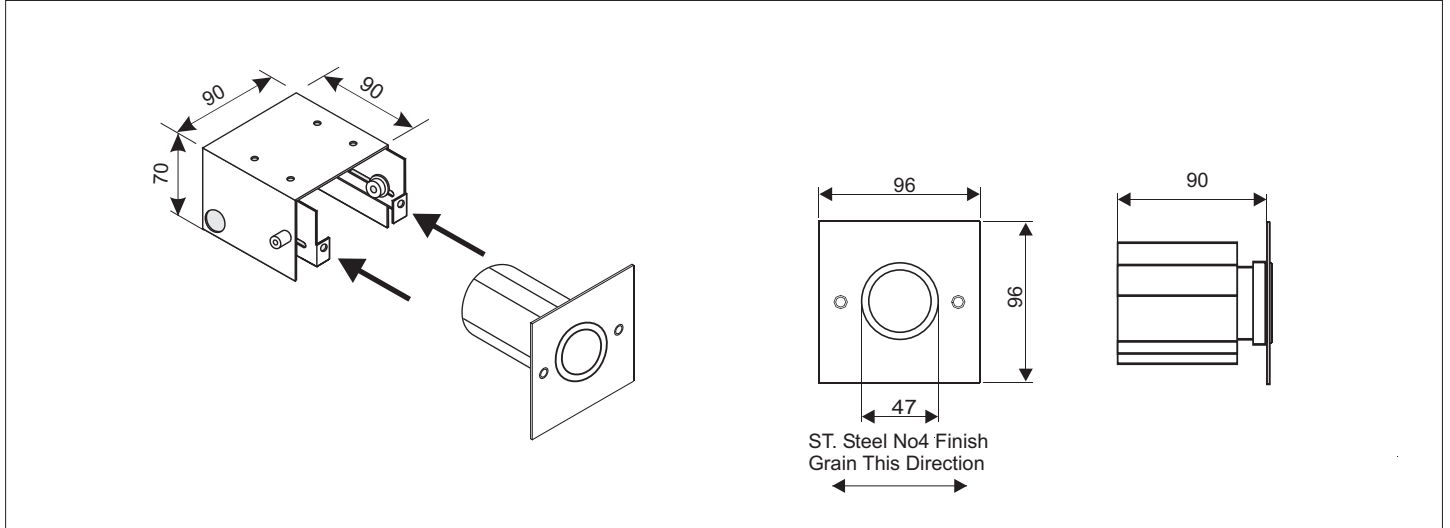


Installation Instruction Pneumatic Actuator Art No.117.021.00.1

Studwall installation with 224.314.00.1 urinal cistern.

Note: All construction dimensions, materials, methods and details shown are indicative only .
The final sizing, materials used and construction methods must be determined by the project Architect, Builder, Engineer and local Standard. The company reserves the right to change specifications, materials and dimensions without further notice.

Edition eight 24/08/2007, Filename: Single flush installation instruction prefit



Installation Instruction Pneumatic Actuator Art No.117.021.00.1

Studwall installation with 224.314.00.1 urinal cistern.

Edition eight 24/08/2007, Filename: Single flush installation instruction prefit

