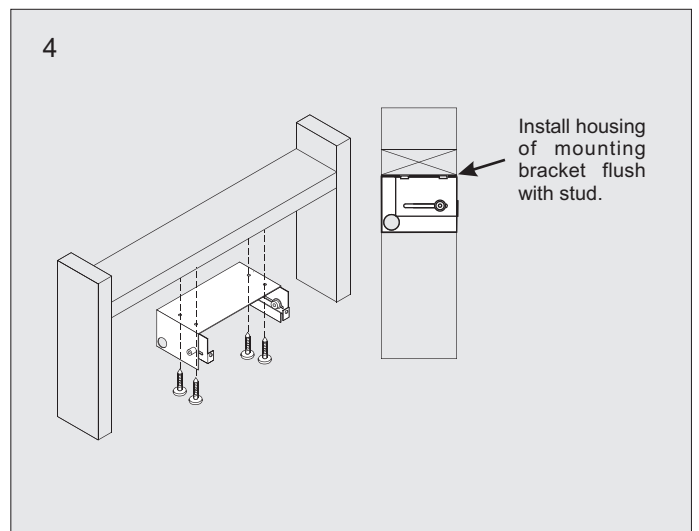
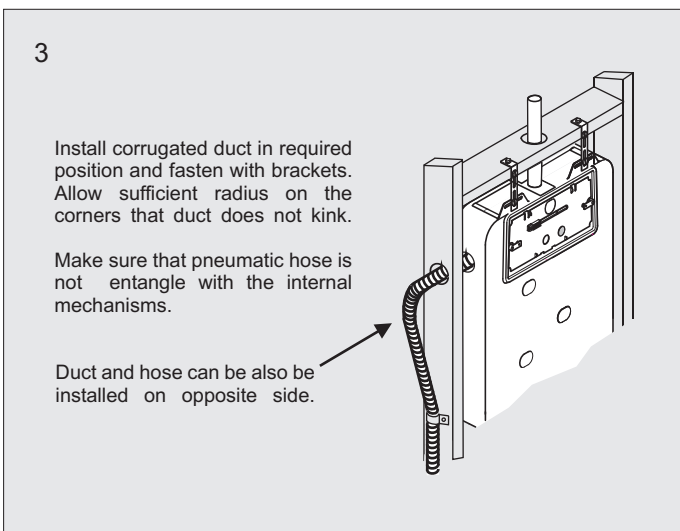
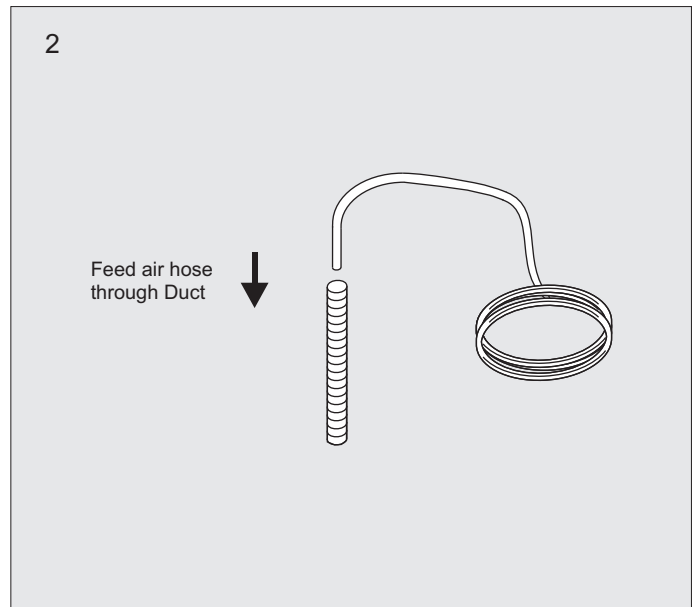
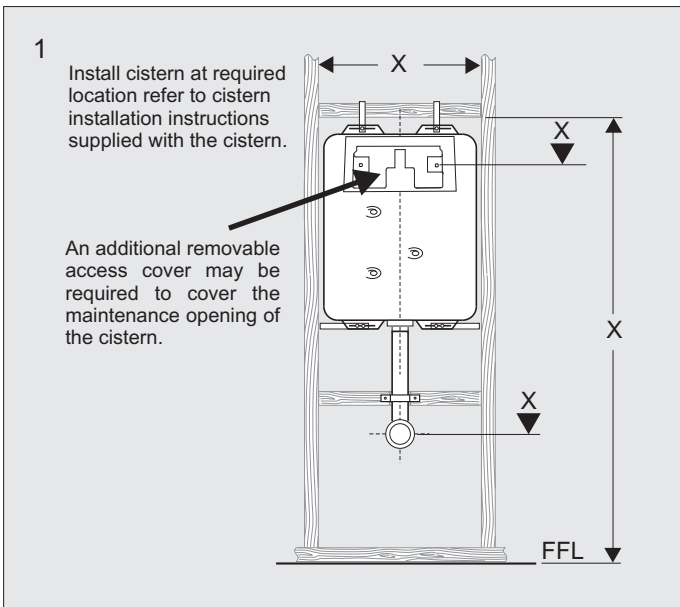
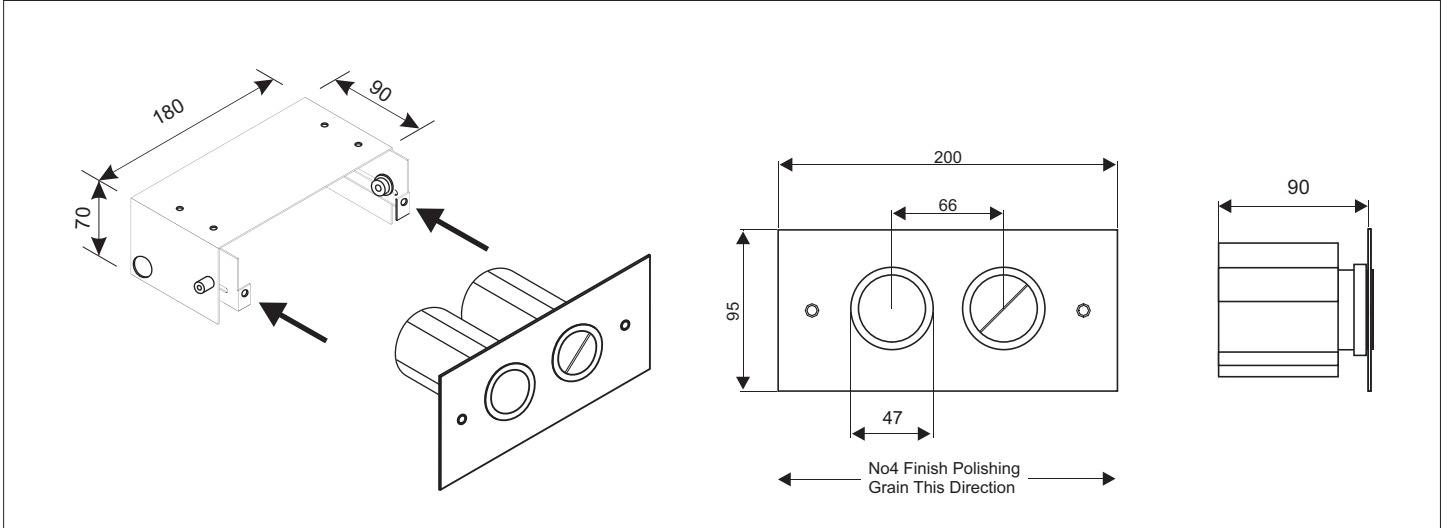


# Installation Instruction Pneumatic Actuator Art No.117.023.00.1

## Studwall installation with 110.708.00.1 pneumatic cistern

**Note:** All construction dimensions, materials, methods and details shown are indicative only . The final sizing, materials used and construction methods must be determined by the project Architect, Builder, Engineer and local Standard. The company reserves the right to change specifications, materials and dimensions without further notice.

Edition eight 04/06/2007, File name: Dual flush installation instructions prefit 117.023.00.1.cdr



# Installation Instruction Pneumatic Actuator Art No.117.023.00.1

## Studwall installation with 110.708.00.1 pneumatic cistern

Edition eight 04/06/2007, File name: Dual flush installation instructions prefit 117.023.00.1.cdr

