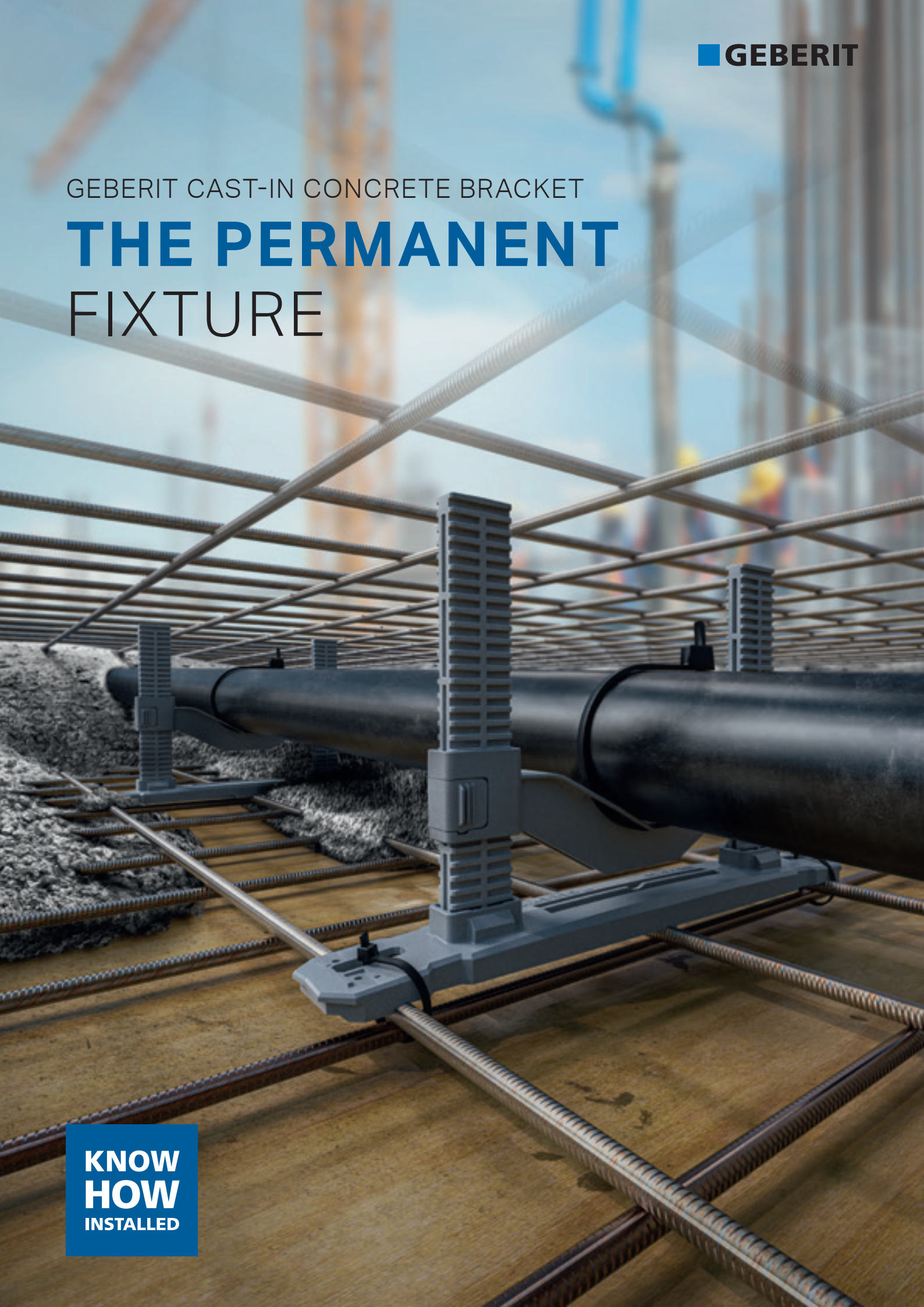


GEBERIT CAST-IN CONCRETE BRACKET

THE PERMANENT FIXTURE



**KNOW
HOW**
INSTALLED

CAST-IN CONCRETE BRACKET FOR SECURE FIXING EVERYTHING IN ITS PLACE

Geberit has developed a lightweight and universally applicable cast-in concrete bracket to keep discharge pipes securely in place during ceiling concrete work. This innovative solution can be mounted and adjusted with ease, ensuring discharge pipes stay properly aligned without the need for additional accessories such as heavy pipe brackets, metal wires or makeshift materials.

HEIGHT-ADJUSTABLE

The support for the cast-in concrete bracket can be adjusted to different heights tool-free to ensure the required slope in the pipe. It locks into place on the bar and remains at the desired height, although adjustments can be made at any time.



100% RECYCLED MATERIAL

The Geberit cast-in concrete bracket is made of 100% recycled plastic sourced from old cups, bowls and bottle caps. Not only does the use of plastic instead of metal make this construction product lighter, but it also makes the carbon footprint of the Geberit cast-in concrete bracket two to three times smaller than that of conventional metal products.



FOR ALL COMMON PIPE DIAMETERS

The versatile Geberit cast-in concrete bracket can be used for all pipe diameters from d50 to d135 with and without insulation.

TESTED QUALITY

Unsafe makeshift solutions are now a thing of the past. During the development of the Geberit cast-in concrete bracket, including applications with cable ties and nails, different forces were simulated to ensure unrestricted functionality. The findings showed that all parts offer the same benefits as metal solutions, but without the drawback of heavy weight.

UNIVERSALLY APPLICABLE

The cast-in concrete bracket can be used flexibly for different applications and requirements on the construction site. Virtually every conceivable installation task can be handled with a universal fastening, which also serves to streamline both the ordering process and storage.

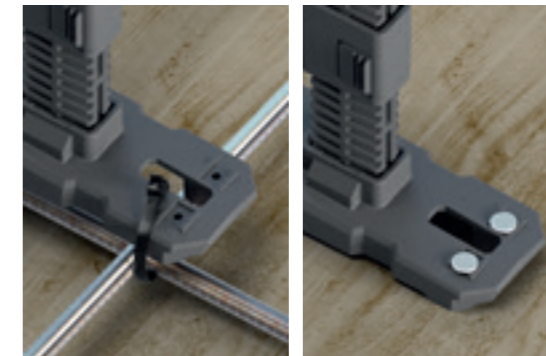
IDEAL FOR EXPOSED CONCRETE

The base plate facilitates secure mounting on the formwork so that there is no risk of visible marks in the concrete.



LIGHTWEIGHT

The Geberit cast-in concrete bracket is only half the weight of a comparable metal solution, making it easier to transport and carry.



NO REWORK NECESSARY

The Geberit cast-in concrete bracket can be secured to the reinforcement using cable ties without the need for any additional work. It is also possible to secure it in place with nails, which are easy to remove thanks to a predetermined breaking point on the base plate.

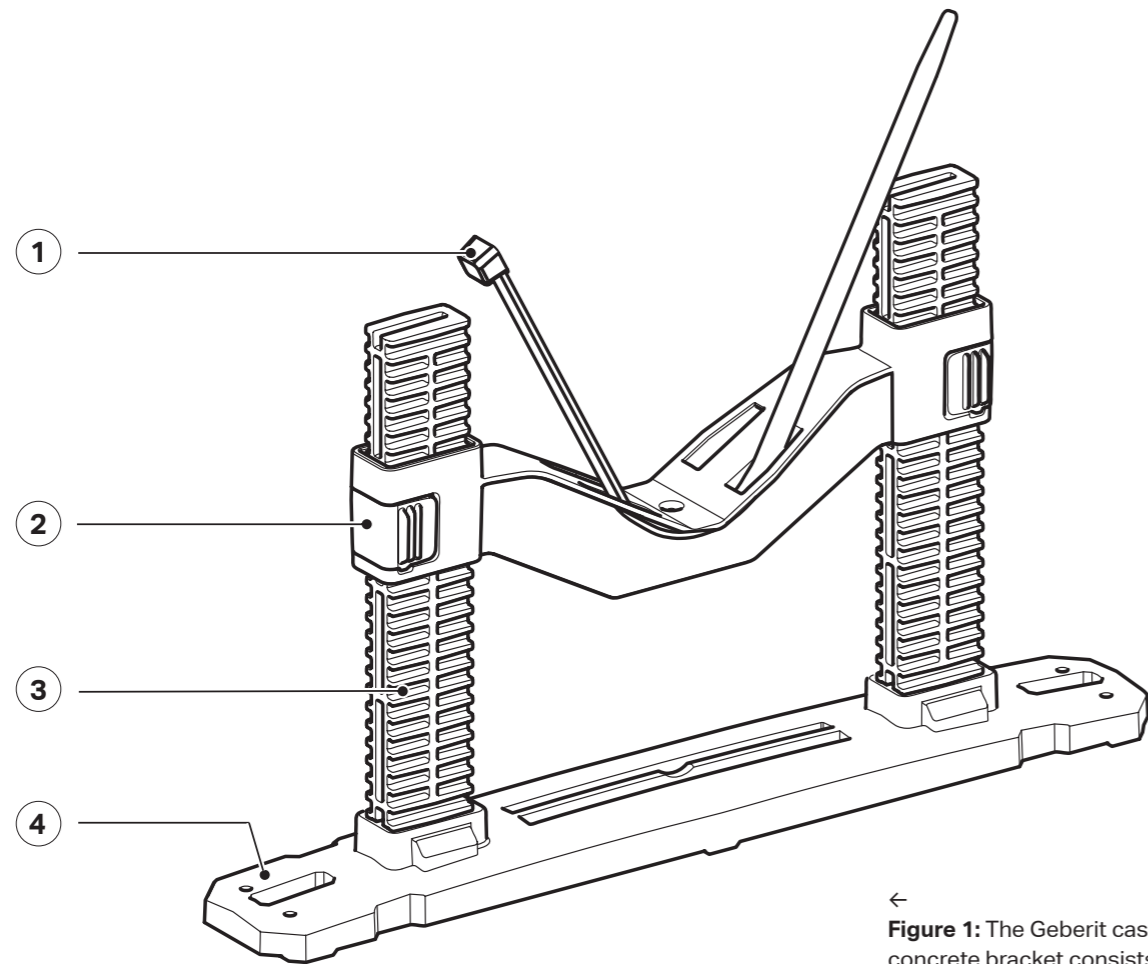
ADVANTAGES OF PLASTIC

Plastic as a material offers a number of favourable properties. It is resistant to corrosion and weatherproof, so it can be stored without any loss of performance. What's more, it is not possible to accidentally cause any permanent bending of the cast-in concrete bracket during installation, as it is only temporarily pliable and returns to its original shape once the load is removed.

GEBERIT CAST-IN CONCRETE BRACKET

CAST-IN CONCRETE BRACKET EMBEDDED IN CONCRETE

The Geberit cast-in concrete bracket fixes and positions the pipework in the concrete.



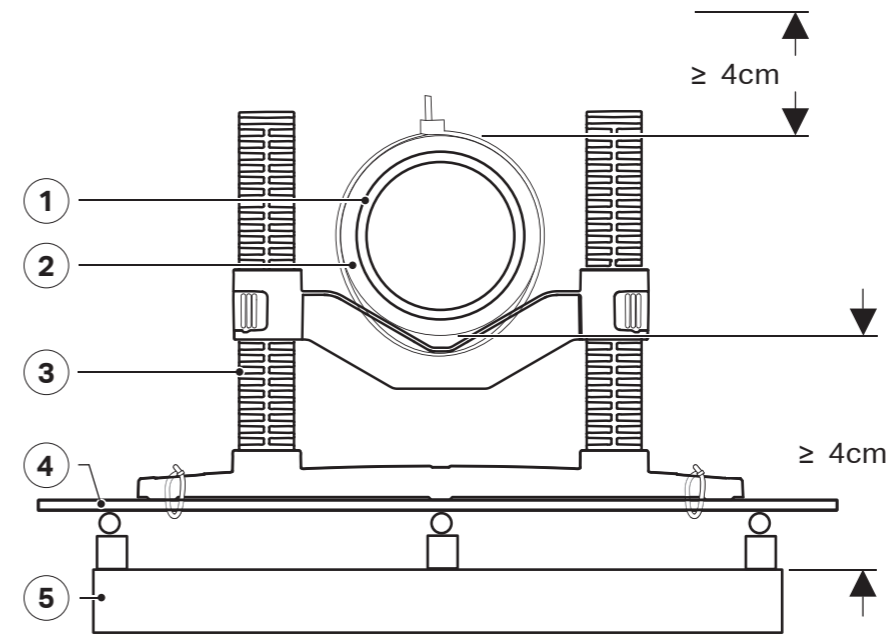
← **Figure 1:** The Geberit cast-in concrete bracket consists of 4 components

- 1 Geberit cable tie
- 2 Geberit height-adjustable support
- 3 Geberit detent rods
- 4 Geberit base plate

Material	100% recycled PP 500-S
Storage temperature	-10 – +80 °C
Installation temperature	-10 – +40 °C
Load resistance max.	80 kg
Height	200 mm
Pipe dimensions	d50 - d135 incl. Geberit Isol Flex

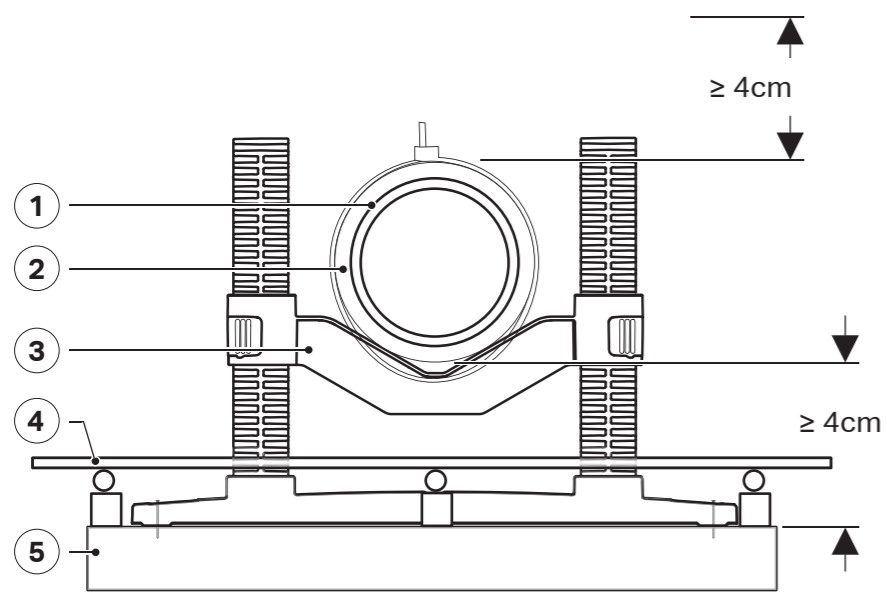
← **Table 1:** Technical data of Geberit cast-in concrete bracket

The Geberit cast-in concrete bracket can be attached to the bottom reinforcement using cable ties or rebar tie wire.



← **Figure 2:** Embedding a Geberit cast-in concrete bracket in concrete on sub-armouring

- 1 Geberit HDPE pipe
- 2 Pipe Insulation (Optional)
- 3 Geberit cast-in concrete bracket
- 4 Bottom reinforcement
- 5 Formwork

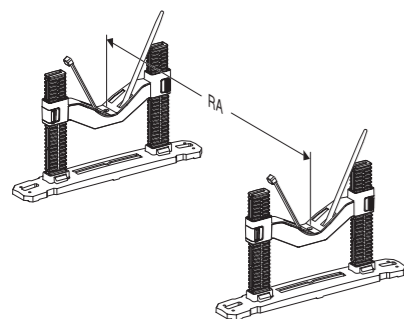


←
Figure 3: Embedding a Geberit cast-in concrete bracket in concrete on formwork

- 1 Geberit HDPE pipe
- 2 Pipe Insulation (Optional)
- 3 Geberit cast-in concrete bracket
- 4 Bottom reinforcement
- 5 Formwork



The Geberit cast-in concrete bracket can be attached to the formwork panel using nails.



d [mm]	RA [m]
40	
50	
56	0,8
63	
75	
90	0,9
110	1,1
125	1,3
135	1,4

←
Table 2: Spacings between the Geberit cast-in concrete brackets

Geberit Pty Ltd
Unit 1 & 6, 13 Boundary Road
Northmead NSW
Australia

P +61 2 9889 7866

sales.au@geberit.com
www.geberit.com.au